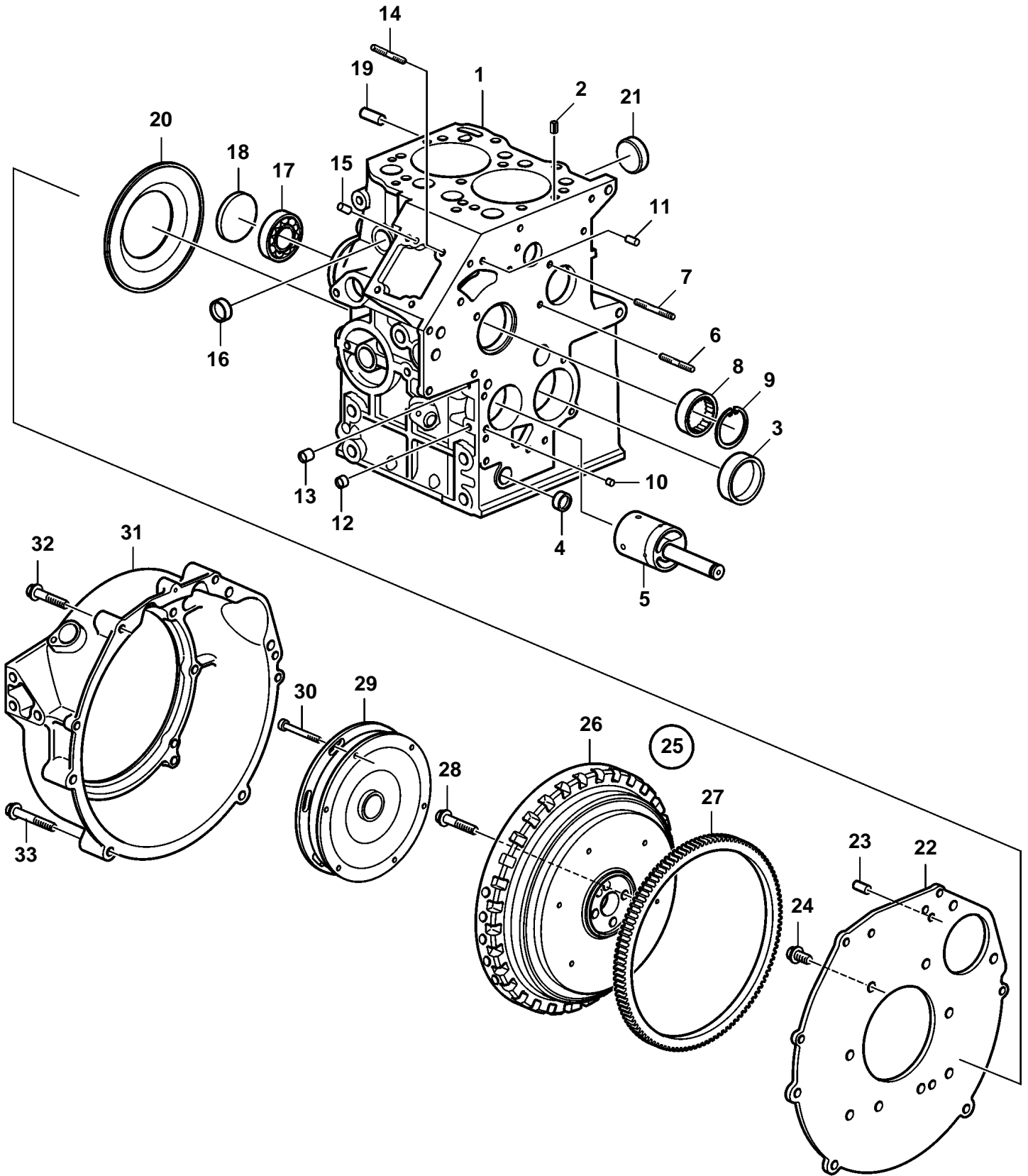


D1-13



22855

D1-13

REF	PART NO.	QTY	DESCRIPTION	NOTES
1		1	Cylinder block	
2	861818	2	Spring pin	
3	861809	1	Main bearing	
4	3886427	1	Cap	
5	861807	1	Shaft	
6	3583709	1	Stud	
7	861820	1	Stud	
8	861814	1	Bearing	
9	3580226	1	Lock ring	
10	861805	1	Plug	
11		2	Pin	
12	3807215	1	Plug	
13	861806	4	Plug	
14	3812420	2	Stud	
15		2	Pin	
16	3886428	1	Cap	
17	3884972	1	Ball bearing	
18	861813	1	Expansion plug	
19		2	Pin	
20	861823	1	Sealing ring	
21	3886429	3	Plug	
22	3818597	1	Plate	
23		2	Pin	
24	946440	10	Flange screw	
25	3840880	1	Flywheel	CMPL
26		1	· Flywheel	
27	861973	1	· Gear ring	
28	861974	4	Screw	
29		1		
30	959211	6	Screw	
31	3818550	1	Flywheel housing	
32	946671	1	Flange screw	
33	965216	5	Screw	